



Specifications

Switch Function	SPST
Electrical Ratings	UL 61058-1 15A @ 125VAC General Purpose 10A @ 250VAC General Purpose
Electrical Life	10,000 cycles typical

Contact Resistance	≤ 50mΩ initial
Dielectric Strength	1500Vrms min
Insulation Resistance	≥ 100MΩ min
Operating Temperature	-20°C to +70°C
Storage Temperature	-20°C to +70°C

Materials

Housing	6/6 Nylon
Actuator	6/6 Nylon
Actuator Lens	Polycarbonate (PC)
Contacts	Silver Alloy
Terminals	Brass, Silver Plated

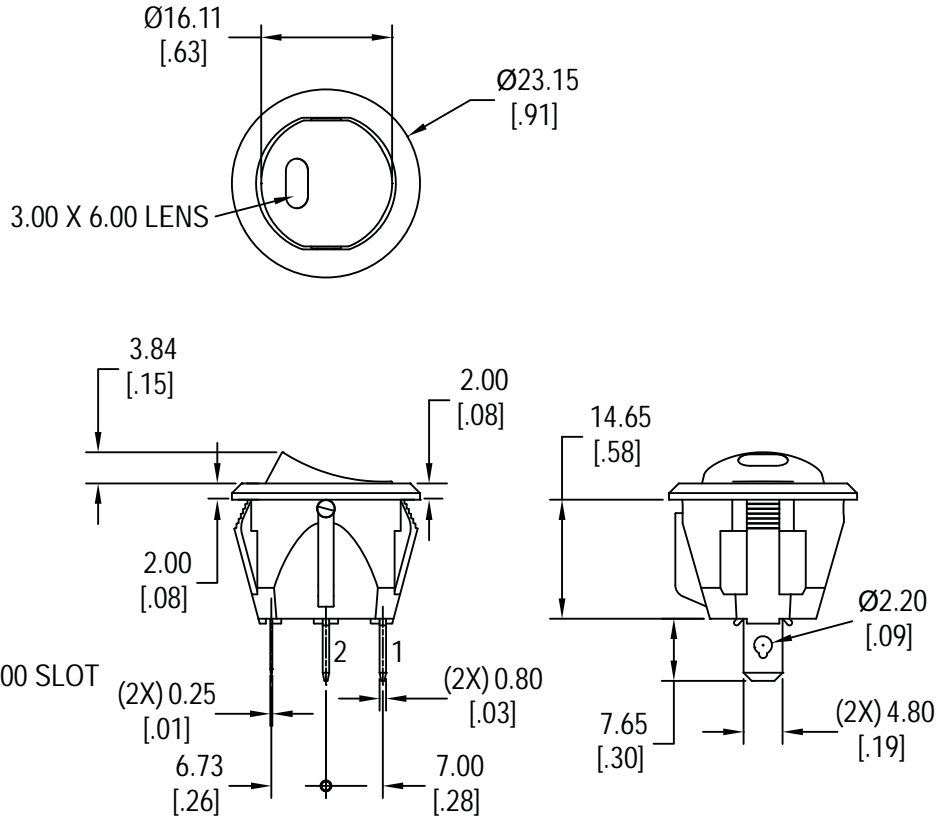
Ordering Information

1. Series	RR2	1	1	2	2	3T	C	R
RR2								
2. Number of Poles 1 = Single Pole								
3. Switch Function 1 = OFF - ON								
4. Housing Color 1 = White 2 = Black 9 = Gray								
5. Actuator Colors 1 = White 4 = Yellow 7 = Blue 2 = Black 5 = Green 8 = Purple 3 = Red 6 = Orange 9 = Gray								
6. Lens Colors 0T = Clear (Transparent) 3T = Red (Transparent) 4T = Yellow (Transparent) 5T = Red (Transparent) 7T = Blue (Transparent)								
7. Terminal Option C = .187" Quick Connect / Solder Lug								
8. LED Colors R = Red RY = Red/Yellow dual LED G = Green RG = Red/Green dual LED Y = Yellow RB = Red/Blue dual LED B = Blue YG = Yellow/Green dual LED PG = Pure Green YB = Yellow/Blue dual LED W = White GB = Green/Blue dual LED								

RR2

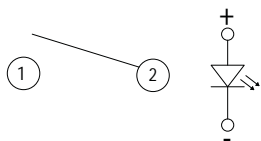
LED Illuminated Round Rocker

Dimensions

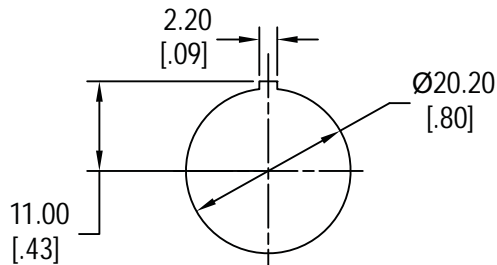


Function	Position 1	Position 2	Position 3
1	OFF	NONE	ON
Terminals	—	—	2 ~ 1

Schematics

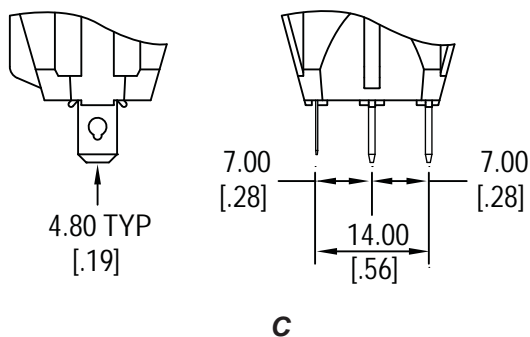


Panel Cut Out



Panel cut out material thickness : 0.8mm ~ 3.0mm

Terminal Options



LED Characteristics

LED Ratings		Color						Units
		R	Y	G	B	PG	W	
Reverse Voltage	V_R	5	5	5	5	5	5	V
Forward Current (avg)	I_F	30	30	30	30	30	30	mA
Forward Current (peak)	I_{FS}	120	125	125	125	125	125	mA
Reverse Current $V_R = 5V$	I_R	10	10	10	10	10	10	μA
Power Dissipation	P_T	75	78	75	114	108	114	mW
Operating & Storage Temperature	T_A	-40 ~ +85						C°
Forward Voltage (typ) $I_F = 20mA$	V_F	2.1	2.1	2.0	3.3	3.1	3.3	V
Forward Voltage (max) $I_F = 20mA$	V_F	2.6	2.6	2.5	3.8	3.6	3.8	V
Wavelength at Peak Emmission $I_F = 20mA$	λ_P	660	585	572	460	515	n/a	nm
Spectral Line Half-Width $I_F = 20mA$	$\Delta\lambda$	25	37	20	30	33	n/a	nm
Luminous Intensity, $I_F = 20mA$	LI	50	10	60	120	700	800	mcd
Viewing Angle	Θ	120	120	120	120	120	120	deg